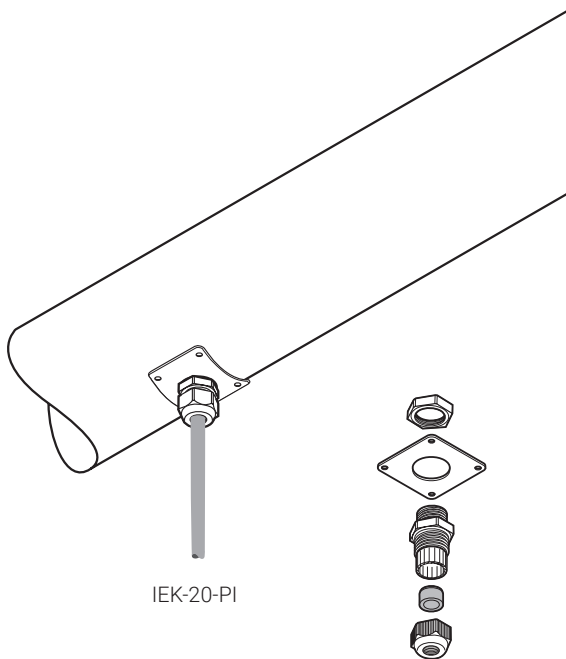


INSULATION ENTRY KIT



Insulation entry kits are designed to protect cables when passing through the thermal insulation cladding. The nVent RAYCHEM IEK-20-PI is suited for PI heating cables as well as for power cables.

Insulation entry kits may be used in hazardous and non hazardous areas.

The gland and the grommet included in the kit provide strain relief and environmental sealing to avoid water ingress in the insulation. They contain a stainless steel plate which can be screwed to the cladding. Insulation entry kits can be used for installations on pipes, tanks and vessels etc.

APPLICATION

IEK-20-PI

Two-pack insulation entry kit for pipes, tanks and vessels. Usable for all types of PI cold leads as well as all other round cables with an outer diameter in the range of 5 to 13 mm. Kit contains 2 pc.

KIT CONTENTS

- 2 x stainless steel fixing plates
- 2 x plastic glands (M20) with round hole grommet for power- or cold lead cables
- 2 x locknuts

PRODUCT SPECIFICATIONS

Max. exposure temp. gland 80°C

DIMENSIONS

Plate 60 x 60 mm (22 SWG)

ORDERING INFORMATION

Part number (Weight) 1244-000689 (0.08 kg)

APPROVALS



(Russia, Kazakhstan, Belarus)
For other countries contact your local nVent representative.

Europe, Middle East, Africa

Tel +32.16.213.511
Fax +32.16.213.604
thermal.info@nvent.com

United Kingdom

Tel 0800 969 013
Fax 0800 968 624
salesthermalUK@nvent.com

Ireland

Tel 1800 654 241
Fax 1800 654 240
salesIE@nvent.com



nVent.com

Our powerful portfolio of brands:

CADDY ERICO HOFFMAN RAYCHEM SCHROFF TRACER