

Blank Duct Plugs

PRODUCT COMPONENTS

The blank duct plug is comprised of the following components (Figure 1):

- Plastic top and bottom compression plates
- Plastic loop nut
- Gasket

INSTALLATION INSTRUCTIONS

1. Wipe pipe clean with cloth.
2. Back off eye nut or hex nut enough to relieve any pressure on gasket.

3. Hand tighten, and then use a screwdriver through loop nut if additional tightening is required.
4. Insert duct plug into duct until gasket is completely inside of duct (Figure 2).
5. For eye nut: Hold top plate flat against pipe and tighten eye nut until 1 to 3 threads show on bolt through eye nut. Duct plugs fit a range of pipe sizes; tightness will vary dependant upon pipe ID within plug ranges.

Kwikie™

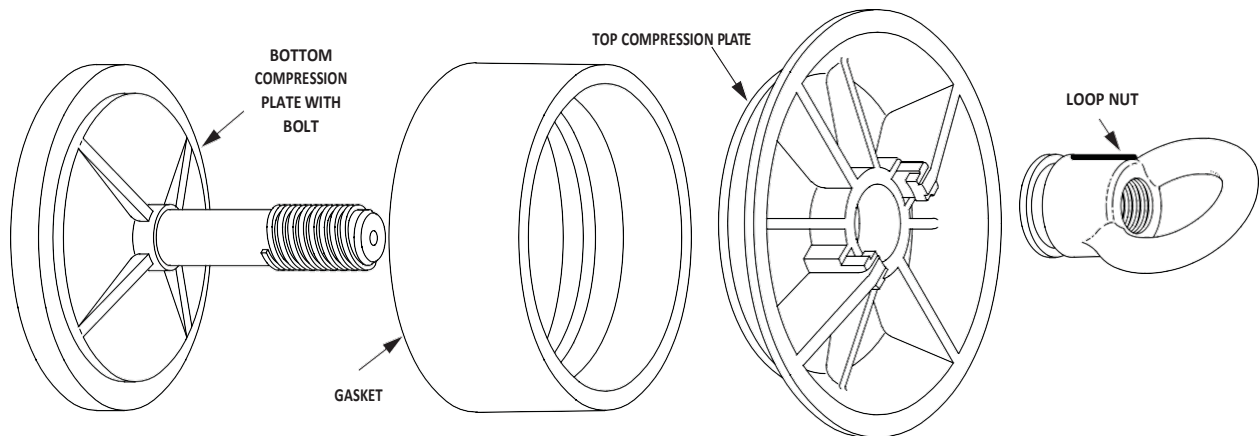


Figure 1

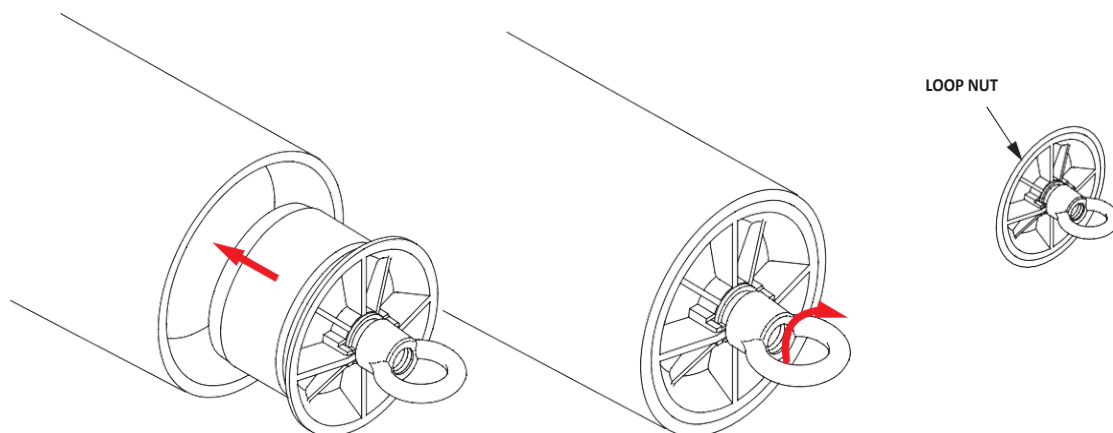


Figure 2