

FIST-GCOG2-Dx24

FTTH Closure for Microtubes and Microcables

The generic gel closure FIST-GCOG2 is an environmentally sealed, fully mechanical enclosure for the fiber management system that provides splicing and passive component integration in the external network.

In addition the Dx24 version comes with a unique gel based sealing block, offering termination and sealing of up to 24 microducts and microcables with separate looped cable.

It is therefore the solution for distribution and access points in FTTH networks using microduct systems.

Features

Flexible design

- Single-ended design
- Aerial, pedestal and underground (up to 2 meters) use
- Fully mechanically sealed

Advanced fiber management

- FIST management system for fiber organization and splicing
- Uncut fibers can be stored as single circuits in trays and/or as cable elements in the storage space between the profiles

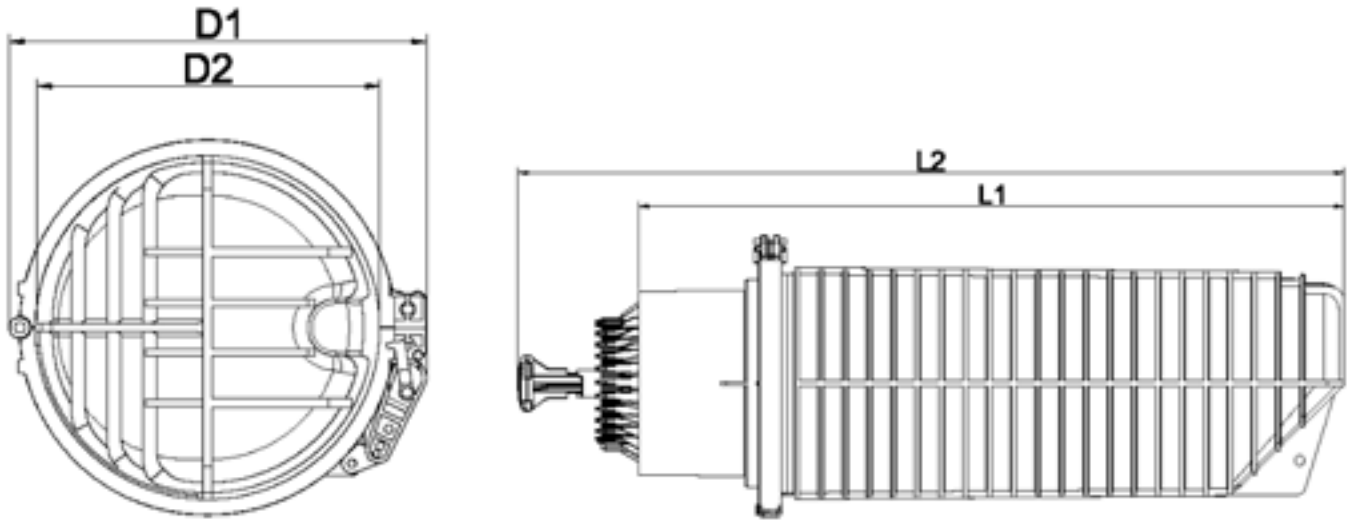
Superior sealing

- Base to dome sealing with a clamp and O-ring
- Gel block assembly consisting of:
 - Microtube termination/fixation part
 - Pre-installed re-enterable gel profile with double sealing action:
 - » Sealing onto microtubes
 - » Sealing between microtubes and blown fiber cable
 - » Fiber cable termination part for tool less wraparound cable termination
- Sealing and termination of
 - Looped Feeder — Diameter range: 6-21mm
 - 24 drop cables
 - » Without use of microtubes — Diameter range: 4-7mm
 - » With use of microtubes
 - * Up to 24 microtubes — Diameter range: 7-10mm
 - * Up to 6 microtubes — Diameter of 12mm
 - * Fiber cables inside the microtubes — Diameter range: 1.8-6.5mm

FIST-GCOG2-Dx24

FTTH Closure for Microtubes and Microcables

Dimensions and Capacities



Dimensions in mm

	Closure Type			
	DC24	DD24	DE24	DF24
L1	590	670	780	845
L2	690	770	880	945
D1	291	291	291	291
D2	247	247	247	247

Cable Capacity

20 drop ports

1 tube each:	ø 7-10 mm	ø 7-10 mm	ø 7-10 mm
1 cable with microtube:	ø 1.8-7 mm	ø 1.8-7 mm	ø 1.8-7 mm

Or

1 cable without microtube:	ø 4-7mm	ø 4-7mm	ø 4-7mm
-----------------------------------	---------	---------	---------

4 drop ports

1 tube each:	ø 7-12 mm	ø 7-12 mm	ø 7-12 mm
1 cable with microtube:	ø 1.8-7 mm	ø 1.8-7 mm	ø 1.8-7 mm

Or

1 cable without microtube:	ø 4-7mm	ø 4-7mm	ø 4-7mm
-----------------------------------	---------	---------	---------

2 main cable ports

Looped cable:	ø 6-21 mm	ø 6-21 mm	ø 6-21 mm
1 tube each:	ø 12 mm	ø 12 mm	ø 12 mm

FIST-GCOG2-Dx24

FTTH Closure for Microtubes and Microcables

Ordering Information

FIST - GCOG2 - XX 24 - XX

Closure size

		Class
DC	590 mm long 2 x 20 units UMS	A
DD	670 mm long 2 x 36 units UMS	A
DE	780 mm long 2 x 52 units UMS	A
DF	845 mm long 2 x 60 units UMS	B

Ground feedthrough Flash test point

		Class
NN	No ground feedthrough No flash test value	A
NV	Pre-mounted flash test point in dome No ground feedthrough	B

For more technical options and order quantity information, please consult the products ordering guides or your local sales representative.



www.commscope.com

Visit our website or contact your local CommScope representative for more information.

© 2016 CommScope, Inc. All rights reserved.

FIST and all trademarks identified by ® or ™ are registered trademarks or trademarks, respectively, of CommScope, Inc.

This document is for planning purposes only and is not intended to modify or supplement any specifications or warranties relating to CommScope products or services.

PS-322645-EU (02/16) [Revised from TC-1117-DS]